



LIGHTING

C1D2 FLOOD – INTRODUCTION & LOGIC



Class I, Div. 2, Groups A,B,C,D
 Class II, Div. 1&2, Groups EFG
 Class III
 Suitable for wet locations
 Marine Rated (US Only)
 NEMA 3, 4X
 IP66

CS US File LR11713

IEC Ex Rated model (w/IEX suffix)
 Zone 2 and Zone 21 areas
 Ex nA IIC T6...T3, Gc
 Ex tb IIIC T160°C Db
 Tamb -50°C <Ta<+55°C, IP66
 IECEx Certificate CSA 14.0002X
 ATEX CML 14ATEX3087/4088

PETROBRIGHT® LED

FEATURES-SPECIFICATIONS

Applications

LED Floods are designed for installations where moisture, dirt, dust, corrosion and vibration may be present, or NEMA 3 and 4X areas where wind, water, snow or high ambients can be expected. They can be used in locations made hazardous by the presence of flammable vapors or gases or combustible dusts as defined by the NEC.

Typical applications include manufacturing plants, and certain chemical and petrochemical processing facilities, sewage treatment plants, off-shore and dockside installations, garages and storage facilities.

Compliances

- UL-8750 for LED lighting
- ANSI/UL 1598(A)
- UL-844 Standard for lighting fixtures for hazardous locations, Class I, Division 2; Class II, Divisions 1 and 2; Class III
- CSA C22.2 no. 137-M1981 electric luminaires for use in hazardous locations
- Enclosed and gasketed
- NEMA 3, 4X
- IP66
- IEX suffix Zone 2/21 to IEC 60079-0, 60079-15, 60079-31 Standards

Materials

- Body, end caps and lens frame corrosion resistant copper-free aluminum alloy with baked powder epoxy/polyester finish, electrostatically applied for complete, uniform corrosion protection
- All external hardware - stainless steel
- Thermal shock and impact resistant glass lens
- High temperature silicone gasketing
- Trunnion heavy gauge galvanized steel with painted finish

LED Flood Features and Standards

- Crisp White Light for Excellent Color Rendering - Chromaticity 5000K (CCT); approx. 70 CRI
- Energy Savings - High lumens per watt
- Long Life - to 100,000+ maintenance free hours to 70% initial lumens
- Ambient suitability -50°C to 55°C up to 125W
- Instant On - Including after power interruption
- World Voltage 120 - 277VAC 50/60Hz
- Solder-LESS LED Board Connections - Vibration Resistant
- LM80-08* Measurement of lumen maintenance for LED light sources
- LM79-08* Certified "Absolute" Photometry, including Chromaticity Color for Solid State Lighting
- L70 Values - Industry Nomenclature for Hours of use to 70% of initial Lumens - TM-21* & Calculated

Supplemental surge protection included as standard for AC models only

PATENTED LUMINAIRE DESIGN



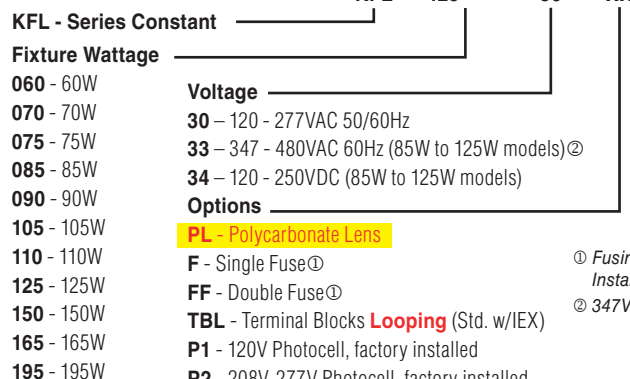
KFL with KFS-6 Slipfitter mount on 2" pipe

Dark Sky Visor KFL-DARK

* LM-xx & TM-xx are Illumination Engineering Society Standards designed to promote uniformity in testing procedures among test labs and manufacturers. For more information go to www.ies.org

IEC Units include Qty. 3 6mm terminals plus external ground as standard

Catalog Number Logic



Construction Note:
 Models with dual metric entries are tapped with one plugged and the standard 3/4" NPT entry will be plugged.

Ⓢ Fusing not for Canadian or Marine Installations
 Ⓢ 347V-480V +40°C Max



Consult website for current list of approved luminaires

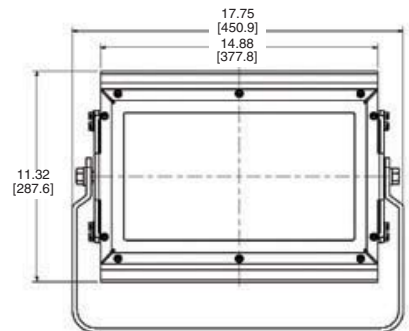


C1D2 FLOOD – ORDERING INFORMATION & TECHNICAL DATA

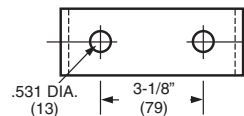
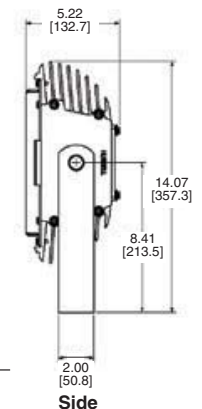
ORDERING INFORMATION AND AMBIENT SUITABILITY						C1D2④		C1D2④ SIMULTANEOUS		C2D1④		IEC ZONE 2 ④		IEC ZONE 21⑤		L70		
CATALOG NO.①	WEIGHT LBS./KG	WATTS	VOLTAGE	AMPS ①②	LUMENS③	40°C	55°C	40°C	55°C	40°C	55°C	40°C	55°C	40°C	55°C	TM-21	CALCULATED	
KFL06030	30.00 / 13.61	60	120-277VAC	0.50-0.20	6111	T6	T5	T3C	T3C	T3C (EFG)	T3C (EFG)	T6	T5	145-70	160-85	60100	270000	
KFL07030		70	120-277VAC	0.60-0.30	9742	T6	T5	T3C	T3C	T3C (EFG)	T3C (EFG)	T6	T5	145-70	160-85	72600	278000	
KFL07530		75	120-277VAC	0.60-0.30	7454	T6	T5	T3C	T3C	T3C (EFG)	T3C (EFG)	T6	T5	145-70	160-85	60100	270000	
KFL08530		85	120-277VAC	0.70-0.30	10840	T6	T5	T3C	T3C	T3C (EFG)	T3C (EFG)	T6	T5	145-70	160-85	72600	278000	
KFL08533			347-480VAC	0.24-0.17														
KFL08534			120-250VDC	0.70-0.27														
KFL09030		90	120-277VAC	0.80-0.40	9023	T6	T5	T3C	T3C	T3C (EFG)	T3C (EFG)	T6	T5	145-70	160-85	60100	270000	
KFL09033			347-480VAC	0.28-0.23														
KFL09034			120-250VDC	0.80-0.36														
KFL10530		105	120-277VAC	0.90-0.40	10370	T4A	T4A	T3C	T3C	T3C (EFG)	T3C (EFG)	T4	T4	145-70	160-85	60100	270000	
KFL10533			347-480VAC	0.31-0.23														
KFL10534			120-250VDC	0.90-0.36														
KFL11030		110	120-277VAC	0.90-0.40	13780	T6	T5	T3C	T3C	T3C (EFG)	T3C (EFG)	T6	T5	145-70	160-85	72600	278000	
KFL11033			347-480VAC	0.31-0.23														
KFL11034			120-250VDC	0.90-0.36														
KFL12530		125	120-277VAC	1.00-0.50	15340	T6	T5	T3C	T3C	T3C (EFG)	T3C (EFG)	T6	T5	145-70	160-85	72600	278000	
KFL12533			347-480VAC	0.35-0.29														
KFL12534			120-250VDC	1.00-0.45														
KFL15030		150	120-277VAC	1.25-0.54	18550	T5	-	T3C	-	T3C (EFG)	-	-	-	-	-	-	60300	190000
KFL16530		165	120-277VAC	1.38-0.60	19220	T5	-	T3C	-	T3C (EFG)	-	-	-	-	-	-	72600	278000
KFL19530	195	120-277VAC	1.63-0.70	21940	T5	-	T3C	-	T3C (EFG)	-	-	-	-	-	-	72600	278000	

- ① Cat. nos. are 120-277VAC models, see logic for 347-480V.
- ② Amperage measured at 120VAC; 277VAC calculated
- ③ Extra high Lumens per Watt LED models
- ④ Use 75° minimum Supply Wire @40°C Ambient; 90 @55°C Ambient
- ⑤ First number is lens temperature under 25mm layer of dust; Second number is lens temp. for dust cloud.

Dimensions



Front



Trunnion Mounting Detail



KFS-6 Slipfitter **KFCB** Cross Arm Mount **KFWB** Wall/Pipe Bracket **K4040** Wall Bracket **4041** Tenon Fitting

KFL MOUNTS AND ACCESSORIES①	
CATALOG NUMBER	DESCRIPTION
KFS-6	Steel Slipfitter for 2" Pipe (2-3/8" o.d.) Tenon. Slips 3.75" Over Pipe.
KFCB	Heavy Duty Cast-Iron Crossarm Fitting for Horizontal Trunion
KFWB	Heavy Duty Wall Mount and/or Pipe Clamp Fitting Clamps 2" Pipe (2-3/8" o.d.) Through 2-1/2" Pipe (2-7/8" o.d.)
K4040	Heavy Duty Steel Wall Bracket. (Must be with KFCB Crossarm Fitting).
4041	Heavy Duty Steel Wall Bracket 2" Pipe (2-3/8" o.d.) Tenon Fitting. Uses with KFS-6.
KFLG⑥	Wire Guard, 316 Stainless Steel (not used with KFL-DARK)
VMSC10⑦	10' Stainless Steel Safety Cable with loop grip
KFL-DARK⑧⑨	Dark Sky Visor, White Painted Aluminum (not used with KFLG)
KFL-DOOR	Replacement Door and Lens Assembly (for units w/o internal reflectors)
KFL-DOOR2④⑤	Replacement Internal Reflector and Lens Assembly

- ① Fittings available to adapt trunion mount floodlights to crossarms, poles and walls. Must be ordered separately.
- ② Drop limit 1'. Attaches to luminaire cable provision and to mounting structure.
- ③ Designed to eliminate uplight when aimed at 45°.
- ④ Only for models factory supplied with internal reflector.
- ⑤ Not backward compatible with units originally shipped without internal reflector.
- ⑥ KFLG and KFL-DARK cannot be used together.